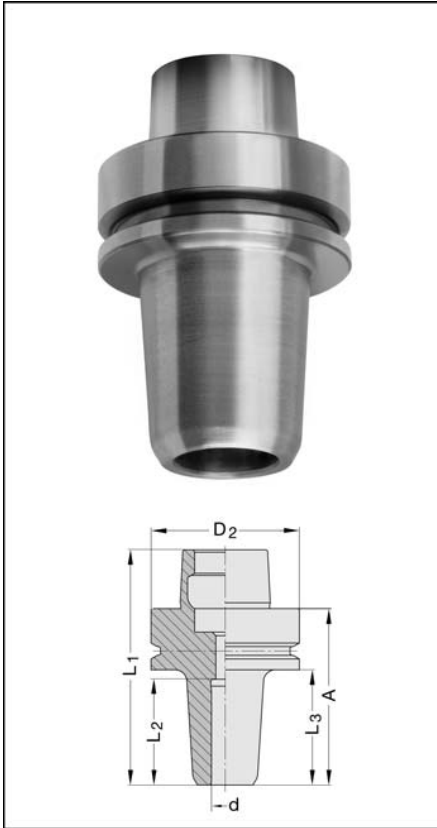


THERMOTEC Heat Shrinking Chuck

new



21022

Shank	D ₂ mm	d mm	A mm	L ₂ /L ₃ mm	L ₁ mm	Part-No.	€ p.pc.
HSK-F 63 63	8	75	38/49	100	21022-0-08063-F	●	
	10	75	40/49	100	21022-0-10063-F	●	
	12	75	45/49	100	21022-0-12063-F	●	
	14	75	46/49	100	21022-0-14063-F	●	
	16	75	50/49	100	21022-0-16063-F	●	
	20	75	50/49	100	21022-0-20063-F	●	
HSK-E 63 63	25	75	55/49	100	21022-0-25063-F	●	
	16	75	50/49	107	21022-0-16063-E	●	
	20	75	50/49	107	21022-0-20063-E	●	
	25	75	55/49	107	21022-0-25063-E	●	

Heat shrinking device: available on request

Please note minimum clamping depth related to the clamping system.

Technical details:

High-precision tool adaptor with thermal shrinking technology for shank tolerance as per norm EN 847-2. Finely balanced up to 30 000 R.P.M. Short and slim design.

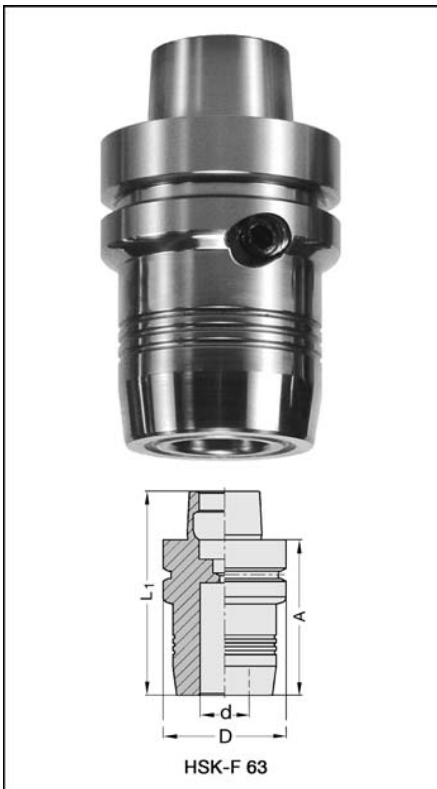
Application:

For high-precision clamping of tool shanks made of solid T.C. or steel. Especially applicable for HSC and HPC machining. Improved surface quality through exact concentricity. Thanks to this continuous contact of the cutting edges. Therefore less abrasive wear and longer durability. Can be used for either right-hand or left-hand rotation.

Special advantages:

- Highest concentricity and repeat accuracy (< 0,003 mm)
- Optimum balancing quality
- Suitable for HSC- and HPC-machining (especially with PCD-tipped and solid T.C. tools)
- Short and slim design

Hydraulic Clamping Chuck



21016

Shank mm	d mm	D mm	A mm	L ₁ mm	Part-No.	€ p.pc.
HSK-F 63	25	63	85	110	21016-0-25063-0	●

Technical details:

Tempered and ground tool body. Thoroughly balanced for R.P.M. max. 25 000. Bayonet fitting for setting and security screw No. 39190-0-08001-R (s. page 3.12), which saves tool if pressure is loosing or during change of tool.

Application:

For high-precision clamping of parallel shanks 25 mm on CNC machines. For either right-hand or left-hand rotation.

Maximum concentricity

for improved surface finish and increased tool life.

Higher clamping precision

because the parallel tool shanks are gripped absolutely concentrically over their full length.

Higher clamping power

resulting in increased frictional force which allows the transmission of high torques.

Spare parts / Accessories

	PU	€ p.pc.
Key with T-handle SW 6	39140-0-00601-0	1

Key SW 6 optional on demand.

PU = packing unit
 ⊕ = supplement
 Z = number of cutting edges

● = popular size, ex stock
 ○ = while stocks last